



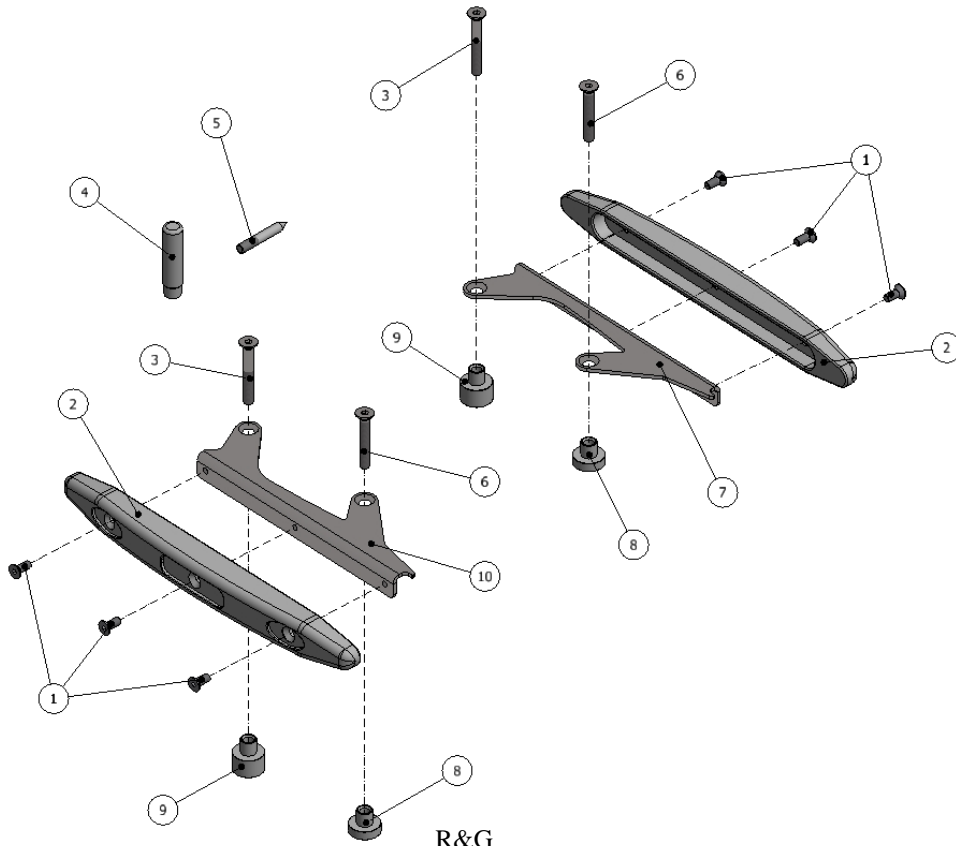
**FITTING INSTRUCTIONS FOR TP0024BK FOOTBOARD SLIDERS**  
**HONDA X-ADV '17-**



**THIS KIT CONTAINS THE ITEMS PICTURED AND LABELLED BELOW.**  
**DO NOT PROCEED UNTIL YOU ARE SURE ALL PARTS ARE PRESENT.**

Please note that the way the kit is packed does not necessarily represent the way of mounting to the bike.

THE PARTS SHOWN MAY BE REPRESENTATIVE ONLY (FOR CLARITY OF INSTRUCTIONS ONLY).



R&G



### **LEGEND**

- ITEM 1 = M5x12mm LONG COUNTERSUNK BOLTS (x6).
- ITEM 2 = SLIDER (SL0007) (x2).
- ITEM 3 = M6x45mm LONG COUNTERSUNK BOLTS (x2).
- ITEM 4 = 10.5mm PUNCH TOOL (x1).
- ITEM 5 = M6 MARKING TOOL (x1).
- ITEM 6 = M6x40mm LONG COUNTERSUNK BOLTS (x2).
- ITEM 7 = MOUNTING PLATE LEFT SIDE (MP0194) (x1).
- ITEM 8 = SPACER (S1075) 15.50mm LONG (x2).
- ITEM 9 = SPACER (S1076) 22mm LONG (x2).
- ITEM 10 = MOUNTING PLATE RIGHT SIDE (MP0195) (x1).

Please note that in cases where kits are packed with rubber washers holding the components onto the bolt – *the rubber washers should be thrown away!*

### **TOOLS REQUIRED**

- Set of metric Allen keys to include 4mm A/F sizes.
  - 10mm Socket and wrench.
  - Phillips Screwdriver



Picture 1



Picture 2



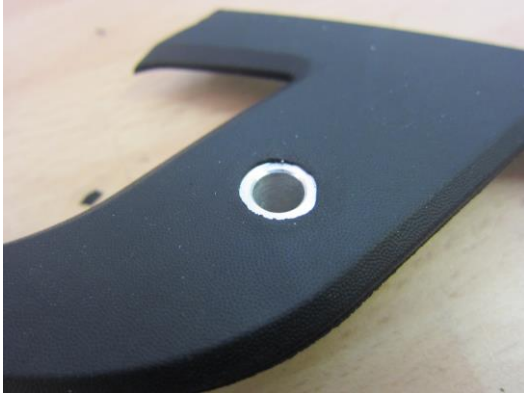
Picture 3



Picture 4

R&G

Unit 1, Shelley's Lane, East Worldham, Alton, Hampshire, GU34 3AQ  
Tel: +44 (0)1420 89007 Fax: +44 (0)1420 87301 [www.rg-racing.com](http://www.rg-racing.com) Email: [info@rg-racing.com](mailto:info@rg-racing.com)



Picture 5



Picture 6

### **FITTING INSTRUCTIONS**

- To fit the left side, remove the original rubber foot plate by lifting a corner and gently pulling.
- Remove the two 10mm bolts that are now accessible, as arrowed in picture 1.
- Take the M6 marking tool (item 5) that is in the kit and screw into one of these holes, ensuring the point is at the top, as shown in picture 2. Re-fit the original rubber foot plate and gently apply some pressure to the area around the marking tool, as shown in picture 3. *This should give a small indentation to locate where to punch a hole through the rubber in order to fit the bolt.* Use the same process to locate the other bolt hole.
- With the rubber removed from the scooter, use the 10.5mm Punch Tool (item 4) supplied with the kit along with a hammer/mallet to create two holes where there is a mark, as shown in picture 4. *This should be done with a scrap piece of wood underneath the rubber and on a hard surface.*
- These holes then allow the top of the spacers to fit through in order for the bolt to tighten against, as shown in picture 5.
- Take the left side mounting plate (item 7) and fit the slider (item 2) using three of the M5 countersunk bolts (item 1). Fit the bolts through the slider and screw into the mounting plate and tighten.
- On the scooter, position the 22mm long spacer (item 9) in the rear recess (with the stepped down smaller diameter facing upwards) and the 15.50mm long spacer (item 8) in the front mount (again, with the stepped down smaller diameter facing upwards).
- Re-fit the original foot plate rubber, ensuring that the tops of the two spacers fit through the holes that have just been punched in the rubber.
- Offer the R&G footboard slider assembly into position and insert the M6 x 40mm long countersunk bolts (item 6) through the mounting plate and into the spacer in the front hole and the M6 x 45mm long countersunk bolt through the rear hole, sandwiching the rubber, before tightening evenly.
- Place the reflective bubble stickers into recesses to cover the bolt heads.
- To fit the right side, follow the same procedure as above.

ISSUE 1 16/10/2017 (AR)

### **CONSUMER NOTICE**

The catalogue description and any exhibition of samples are only broad indications of the Products and R&G may make design changes which do not diminish their performance or visual appeal and supplying them in such state shall conform to the order. The Buyer acknowledges no representation or warranty (other than as to title) has been given or will apply to the Products other than those

R&G

Unit 1, Shelley's Lane, East Worldham, Alton, Hampshire, GU34 3AQ

Tel: +44 (0)1420 89007 Fax: +44 (0)1420 87301 [www.rg-racing.com](http://www.rg-racing.com) Email: [info@rg-racing.com](mailto:info@rg-racing.com)



in R&G's order or confirmation and the Buyer confirms it has chosen the Products as being of merchantable quality and suitable for its particular purposes. Where R&G fits the Products or undertakes other services it shall exercise reasonable skill and care and rectify any fault free of charge unless the workmanship has been disturbed. The Buyer is responsible for ensuring that the warranty on the motorcycle is not affected by the fitting of the Products. On return of any defective Products R&G shall at its option either supply a replacement or refund the purchase money but shall not be liable if the Products have been modified or used or maintained otherwise than in accordance with R&G's or manufacturer's instructions and good engineering practice or if the defect arises from accident or neglect. Other than identified above and subject to R&G not limiting its liability for causing death and personal injury, it shall not be liable for indirect or consequential loss and otherwise its liability shall be limited to the amounts paid by the Buyer for the Products or the fitting or service concerned. These terms do not affect the Buyer's statutory rights.

**R&G RETURNS POLICY (NON-FAULTY GOODS)**

Returns must be pre-authorized (if not pre-authorized the return will be rejected). Goods may only be returned direct to us if they were purchased direct from us (customer must prove if necessary). Otherwise to be returned to original vendor. Goods must be in re-sellable condition, in the opinion of R&G. All returns are subject to a 25% restocking and handling fee (25% of the gross value exc. P&P – at the prevailing price at time of purchase). The customer must pay any and all carriage charges. No returns of discontinued products, unless within 14 days of purchase. This policy does not affect your statutory rights and does not refer to faulty goods.

R&G

Unit 1, Shelley's Lane, East Worldham, Alton, Hampshire, GU34 3AQ

Tel: +44 (0)1420 89007 Fax: +44 (0)1420 87301 [www.rg-racing.com](http://www.rg-racing.com) Email: [info@rg-racing.com](mailto:info@rg-racing.com)



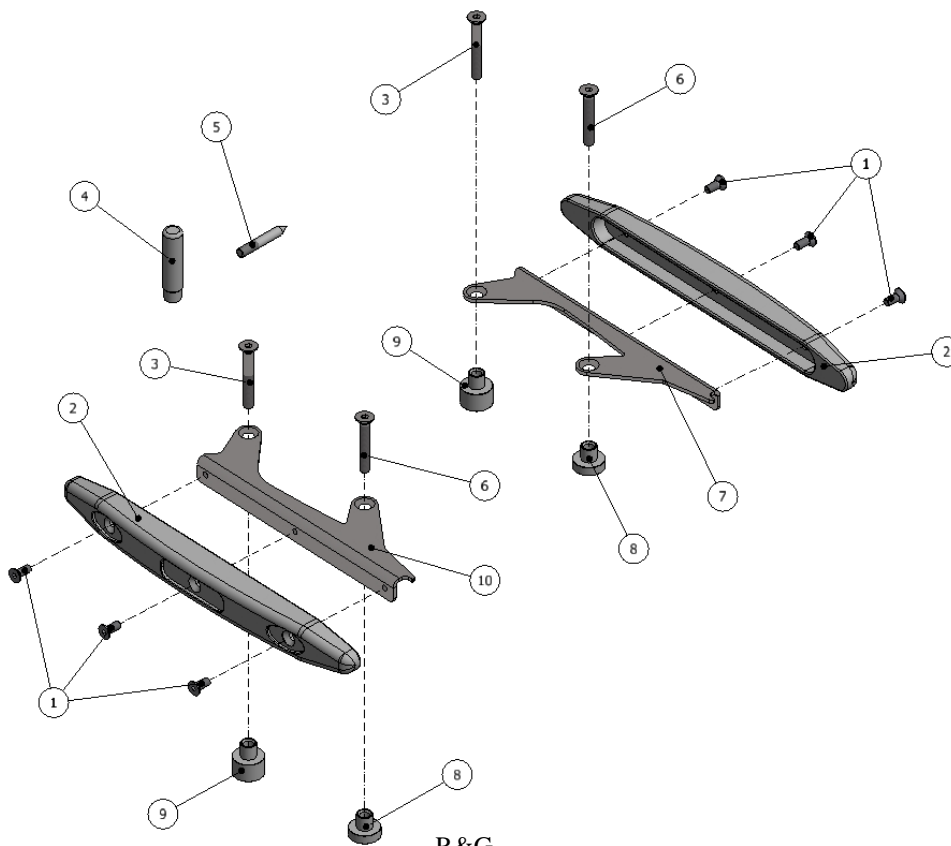
**NOTICE DE MONTAGE POUR TP0024BK SLIDERS REPOSE PIED**  
**HONDA X-ADV '17-**



**Le kit contient les articles exposés ci-dessous, vérifier que toutes les pièces soient présentes avant de procéder au montage.**

**La façon dont le kit est emballé ne correspond pas forcément à la façon de monter les pièces sur la moto.**

**LES PARTIES PRESENTEES PEUVENT ETRE UNIQUEMENT REPRESENTATIVES (POUR LA CLARTE DES INSTRUCTIONS UNIQUEMENT).**



R&G



## **LÉGENDE**

- ARTICLE 1 = M5x12mm BOULONS (x6).
- ARTICLE 2 = SLIDER (SL0007) (x2).
- ARTICLE 3 = M6x45mm BOULONS (x2).
- ARTICLE 4 = 10.5mm OUTIL POUR POUSSER (x1).
- ARTICLE 5 = M6 OUTIL DE MARQUAGE (x1).
- ARTICLE 6 = M6x40mm BOULONS (x2).
- ARTICLE 7 = PLAQUE DE MONTAGE CÔTÉ GAUCHE (MP0194) (x1).
- ARTICLE 8 = ENTRETOISE (S1075) 15.50mm DE LONG (x2).
- ARTICLE 9 = ENTRETOISE (S1076) 22mm DE LONG (x2).
- ARTICLE 10 = PLAQUE DE MONTAGE CÔTÉ DROIT (MP0195) (x1).

Notez que si les kits sont emballés avec des rondelles en caoutchouc servant à tenir les composants, *ces rondelles doivent être jetées !*

## **OUTILS REQUIS**

- Clés Allen 4mm.
- Clé à cliquet + douille 10mm.
- Tournevis cruciforme



Photo 1



Photo 2



Photo 3



Photo 4

R&G

Unit 1, Shelley's Lane, East Worldham, Alton, Hampshire, GU34 3AQ  
Tel: +44 (0)1420 89007 Fax: +44 (0)1420 87301 [www.rg-racing.com](http://www.rg-racing.com) Email: [info@rg-racing.com](mailto:info@rg-racing.com)

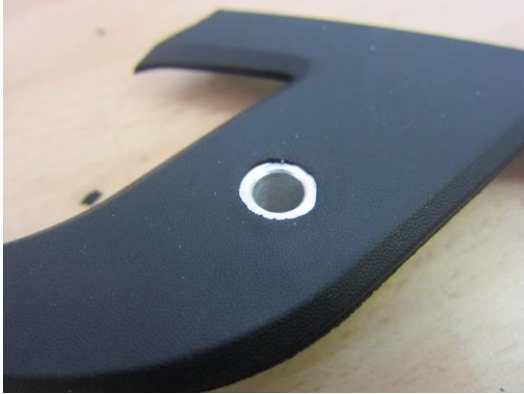


Photo 5



Photo 6

#### **NOTICE DE MONTAGE :**

- Pour le montage du côté gauche, Enlever la plaque de pied en caoutchouc d'origine en soulevant un coin puis en tirant.
- Enlever les 2 boulons 10mm qui sont maintenant accessibles, voir photo 1.
- Prendre l'outil de marquage M6 (article 5) du kit puis visser dans un des trous, en veillant à ce que le point soit sur le haut, voir photo 2. Remonter la plaque de pied en caoutchouc d'origine puis presser à l'endroit qui se situe autour de l'outil de marquage, voir photo 3. *Cela devrait vous aider à localiser l'endroit où faire le trou à travers le caoutchouc pour insérer le boulon. Faire de même pour l'autre trou.*
- Une fois le caoutchouc enlevé du scooter, utiliser l'outil 10.5mm pour pousser (article 4) fourni dans le kit à l'aide d'un maillet pour créer les 2 trous où il y a une marque, voir photo 4. *Cela peut se faire avec un morceau de bois sous le caoutchouc et sur une surface dure.*
- Ces trous permettent ensuite au-dessus des entretoises de se placer dedans pour que le boulon puisse se serrer contre, voir photo 5.
- Prendre la plaque de montage du côté gauche (article 7) puis monter le slider (article 2) en utilisant 3 boulons M5 (article 1). Insérer les boulons dans le slider puis visser dans la plaque de montage puis serrer.
- Sur le scooter, positionner l'entretoise de 22mm (article 9) dans le creux arrière (avec le petit diamètre cranté orienté vers le haut) et l'entretoise 15.50mm (article 8) dans le support avant (une nouvelle fois, avec le petit diamètre cranté orienté vers le haut).
- Remonter la plaque de pied en caoutchouc d'origine, en veillant à ce que le haut des 2 entretoises se place dans les trous qui viennent juste d'être poussées dans le caoutchouc.
- Monter l'assemblage de slider de repose pied R&G en position puis insérer les boulons M6 x 40mm (article 6) dans la plaque de montage puis dans l'entretoise du trou avant, et le boulon M6 x 45mm dans le trou arrière, prenant en sandwich le caoutchouc, avant de serrer de façon identique.
- Placer les stickers réflecteurs en caoutchouc dans les creux, afin de cacher les têtes de boulons.
- Suivre la même procédure pour le côté droit.

ISSUE 1 16/10/2017 (AR)

#### **CONSUMER NOTICE**

The catalogue description and any exhibition of samples are only broad indications of the Products and R&G may make design changes which do not diminish their performance or visual appeal and supplying them in such state shall conform to the order. The

R&G

Unit 1, Shelley's Lane, East Worldham, Alton, Hampshire, GU34 3AQ

Tel: +44 (0)1420 89007 Fax: +44 (0)1420 87301 [www.rg-racing.com](http://www.rg-racing.com) Email: [info@rg-racing.com](mailto:info@rg-racing.com)



Buyer acknowledges no representation or warranty (other than as to title) has been given or will apply to the Products other than those in R&G's order or confirmation and the Buyer confirms it has chosen the Products as being of merchantable quality and suitable for its particular purposes. Where R&G fits the Products or undertakes other services it shall exercise reasonable skill and care and rectify any fault free of charge unless the workmanship has been disturbed. The Buyer is responsible for ensuring that the warranty on the motorcycle is not affected by the fitting of the Products. On return of any defective Products R&G shall at its option either supply a replacement or refund the purchase money but shall not be liable if the Products have been modified or used or maintained otherwise than in accordance with R&G's or manufacturer's instructions and good engineering practice or if the defect arises from accident or neglect. Other than identified above and subject to R&G not limiting its liability for causing death and personal injury, it shall not be liable for indirect or consequential loss and otherwise its liability shall be limited to the amounts paid by the Buyer for the Products or the fitting or service concerned. These terms do not affect the Buyer's statutory rights.

**R&G RETURNS POLICY (NON-FAULTY GOODS)**

Returns must be pre-authorised (if not pre-authorised the return will be rejected). Goods may only be returned direct to us if they were purchased direct from us (customer must prove if necessary). Otherwise to be returned to original vendor. Goods must be in re-sellable condition, in the opinion of R&G. All returns are subject to a 25% restocking and handling fee (25% of the gross value exc. P&P – at the prevailing price at time of purchase). The customer must pay any and all carriage charges. No returns of discontinued products, unless within 14 days of purchase. This policy does not affect your statutory rights and does not refer to faulty goods.

R&G

Unit 1, Shelley's Lane, East Worldham, Alton, Hampshire, GU34 3AQ

Tel: +44 (0)1420 89007 Fax: +44 (0)1420 87301 [www.rg-racing.com](http://www.rg-racing.com) Email: [info@rg-racing.com](mailto:info@rg-racing.com)





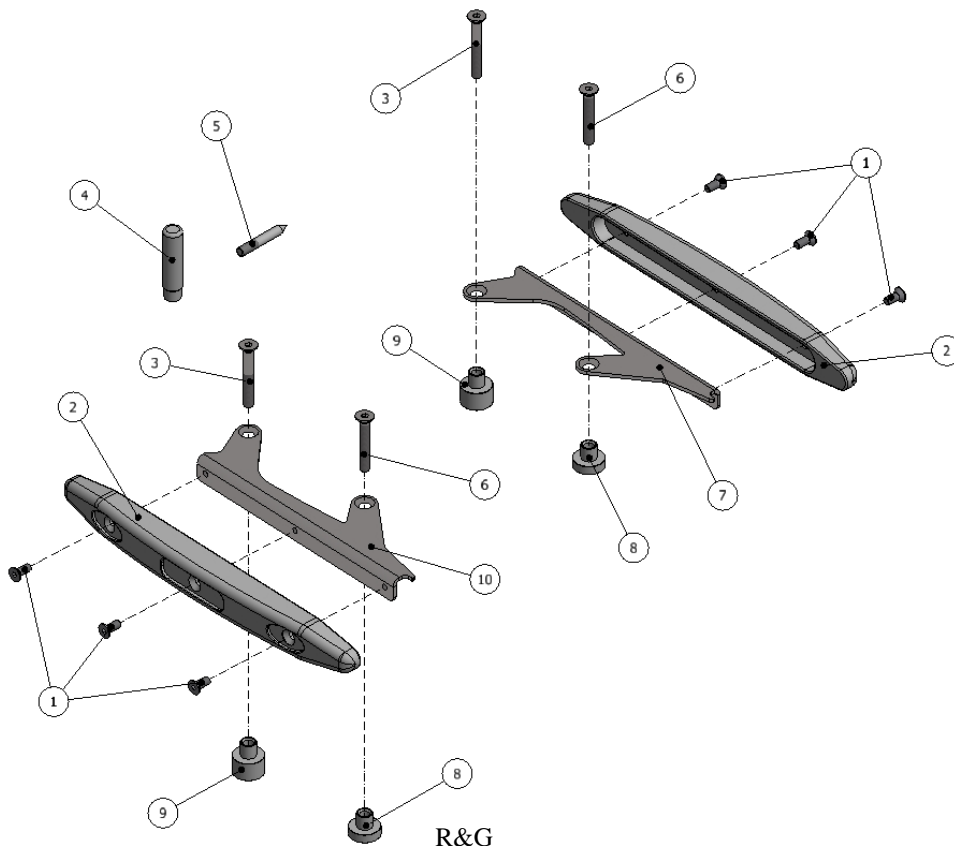
**MONTAGEANLEITUNG FPR TP0024BK TRITTBRETTSCHUTZ**  
**HONDA X-ADV '17-**



**ALLE TEILE SIND UNTEN ABGEBILDET UND GEKENNZEICHNET. BEVOR SIE MIT DER MONTAGE BEGINNEN, ÜBERPRÜFEN SIE, DASS ALLE TEILE VORHANDEN SIND.**

**Hinweis: Die Verpackung der Teile stellt nicht die Reihenfolge der Montage dar.**

DIE UNTEN ABGEBILDETEN TEILE DIENEN LEDIGLICH ZUR ERKLÄRUNG.



R&G



## **LIEFERUMFANG**

- ARTIKEL 1 = M5x12mm SENKSCRAUBE (x6)
- ARTIKEL 2 = TRITTBRETTSCHUTZ (SL0007) (x2).
- ARTIKEL 3 = M6x45mm SENKSCRAUBE (x2)
- ARTIKEL 4 = 10,5mm LOCHSTANZE (x1)
- ARTIKEL 5 = M6 REISSNADEL (x1)
- ARTIKEL 6 = M6x40mm SENKSCRAUBE (x2)
- ARTIKEL 7 = MONTAGEPLATTE LINKE SEITE (MP0194) (x1)
- ARTIKEL 8 = DISTANZHALTER (S1075) 15,50mm LÄNGE (x2)
- ARTIKEL 9 = DISTANZHALTER (S1076) 22mm LÄNGE (x2)
- ARTIKEL 10 = MONTAGEPLATTE RECHTE SEITE (MP0195) (x1)

Hinweis für Kits mit Plastikunterlegscheiben an den Schrauben – *Diese Plastikunterlegscheiben werden nicht für den Einbau benötigt!*

## **TOOLS REQUIRED**

- Satz Inbusschlüssel mit 4mm A/F Inbusschlüssel
  - 10mm Steckschlüssel
  - Kreuzschlitzschraubenzieher



Abbildung 1



Abbildung 2



Abbildung 3



Abbildung 4

R&G

Unit 1, Shelley's Lane, East Worldham, Alton, Hampshire, GU34 3AQ  
Tel: +44 (0)1420 89007 Fax: +44 (0)1420 87301 [www.rg-racing.com](http://www.rg-racing.com) Email: [info@rg-racing.com](mailto:info@rg-racing.com)

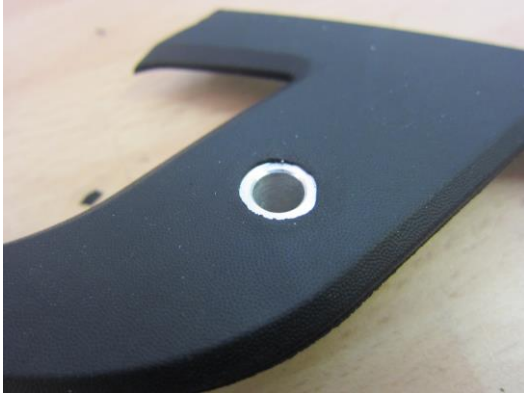


Abbildung 5



Abbildung 6

### MONTAGEANLEITUNG

- Um die linke Seite montieren zu können, entfernen Sie das original Trittgummi (eine Ecke hochheben und ziehen).
- Entfernen Sie die zwei 10mm Schrauben, die nun zugänglich sind – siehe Abbildung 1.
- Die M6-Reißnadel vom Kit (Artikel 5) nehmen und, mit der Spitze nach oben gerichtet, in eine der Öffnungen eindrehen – siehe Abbildung 2. Montieren Sie das original Trittgummi wieder und drücken Sie vorsichtig um die Reißnadel– siehe Abbildung 3. *Die Markierung von der Reißnadel zeigt die Stelle an der ein Loch gestanzt werden muss, um somit die Schraube montieren zu können.* Diesen Vorgang nochmal für das zweite Loch wiederholen.
- Das Gummi vom Roller entfernen und die 10,5 mm Lochstanze vom Kit (Artikel 4) zusammen mit einem Schonhammer benutzen, um jeweils ein Loch\* an den zwei markierten Stellen zu machen – siehe Abbildung 4. (*\*auf einer harten Oberfläche mit einem Stück Holz unter dem Gummi ausstanzen*).
- Die Oberflächen der Distanzhalter passen nun durch die Öffnungen, so dass die Schrauben eingedreht werden können – siehe Abbildung 5.
- Nehmen Sie die Montageplatte für die linke Seite (Artikel 7) und montieren den Trittbrettschutz (Artikel 2) – benutzen Sie hierfür drei M5 Senkschrauben (Artikel 1). Die Schrauben durch den Trittbrettschutz führen, in die Montageplatte eindrehen, und anschließend befestigen.
- Positionieren Sie den 22mm Distanzhalter (Artikel 9) in der hinteren Vertiefung am Roller (der gestufte, kleine Durchmesser nach oben gerichtet) und der 15,50mm Distanzhalter (Artikel 8) an der vorderen Befestigung (der gestufte, kleine Durchmesser ebenfalls nach oben gerichtet).
- Montieren Sie das original Trittgummi wieder. Bitte darauf achten, dass die Oberflächen der zwei Distanzhalter in den soeben gestanzten Löchern passen.
- Die R&G Trittbrettschutz-Einheit in Position bringen und die M6 x 40mm Senkschraube (Artikel 6) durch die Montageplatte dann in den Distanzhalter in der vorderen Öffnung einführen, und die M6 x 45mm Senkschraube durch die hintere Öffnung führen, bevor Sie sie gleichmäßig festziehen.
- Montieren Sie die Bubble-Aufkleber in den Vertiefungen, um die Schraubenköpfe abzudecken.
- Wiederholen Sie den Vorgang an der rechten Seite.

AUSGABE 1 16/10/2017 (AR)

#### CONSUMER NOTICE

The catalogue description and any exhibition of samples are only broad indications of the Products and R&G may make design changes which do not diminish their performance or visual appeal and supplying them in such state shall conform to the order. The Buyer acknowledges no representation or warranty (other than as to title) has been given or will apply to the Products other than those in R&G's order or confirmation and the Buyer confirms it has chosen the Products as being of merchantable quality and suitable for its particular

R&G

Unit 1, Shelley's Lane, East Worldham, Alton, Hampshire, GU34 3AQ

Tel: +44 (0)1420 89007 Fax: +44 (0)1420 87301 [www.rg-racing.com](http://www.rg-racing.com) Email: [info@rg-racing.com](mailto:info@rg-racing.com)



purposes. Where R&G fits the Products or undertakes other services it shall exercise reasonable skill and care and rectify any fault free of charge unless the workmanship has been disturbed. The Buyer is responsible for ensuring that the warranty on the motorcycle is not affected by the fitting of the Products. On return of any defective Products R&G shall at its option either supply a replacement or refund the purchase money but shall not be liable if the Products have been modified or used or maintained otherwise than in accordance with R&G's or manufacturer's instructions and good engineering practice or if the defect arises from accident or neglect. Other than identified above and subject to R&G not limiting its liability for causing death and personal injury, it shall not be liable for indirect or consequential loss and otherwise its liability shall be limited to the amounts paid by the Buyer for the Products or the fitting or service concerned. These terms do not affect the Buyer's statutory rights.

**R&G RETURNS POLICY (NON-FAULTY GOODS)**

Returns must be pre-authorized (if not pre-authorized the return will be rejected). Goods may only be returned direct to us if they were purchased direct from us (customer must prove if necessary). Otherwise to be returned to original vendor. Goods must be in re-sellable condition, in the opinion of R&G. All returns are subject to a 25% restocking and handling fee (25% of the gross value exc. P&P – at the prevailing price at time of purchase). The customer must pay any and all carriage charges. No returns of discontinued products, unless within 14 days of purchase. This policy does not affect your statutory rights and does not refer to faulty goods.

R&G

Unit 1, Shelley's Lane, East Worldham, Alton, Hampshire, GU34 3AQ

Tel: +44 (0)1420 89007 Fax: +44 (0)1420 87301 [www.rg-racing.com](http://www.rg-racing.com) Email: [info@rg-racing.com](mailto:info@rg-racing.com)